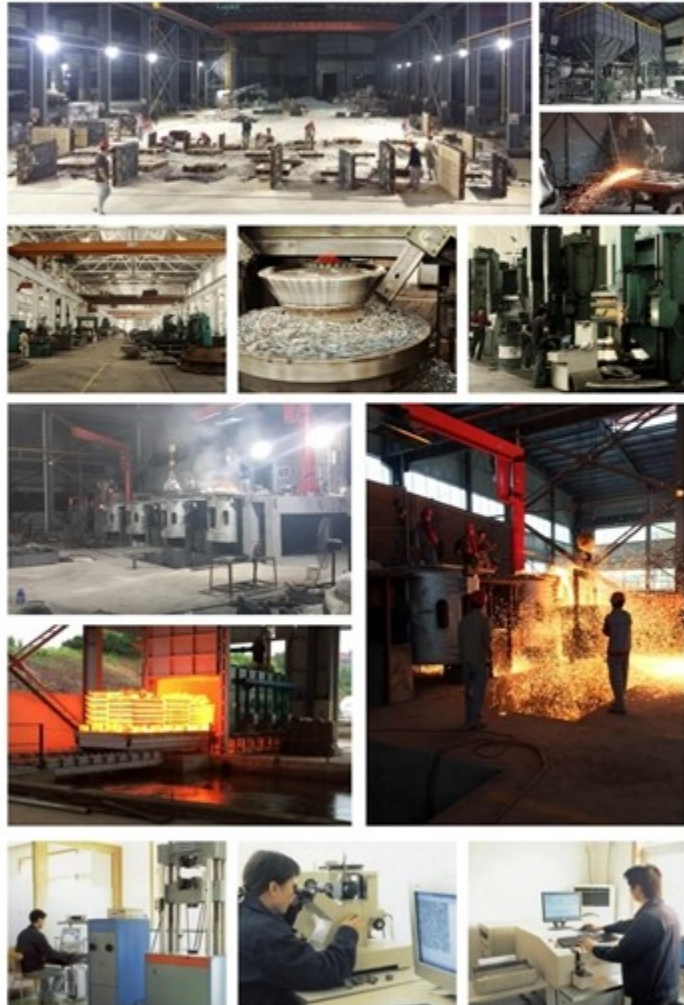


Introduction





徐州华钢耐磨材料有限公司成立于1989年，坐落于素有“五省通衢”之称的江苏省徐州市，是一家集研发、生产、销售、服务为一体的专业耐磨材料生产企业。产品主要包括破碎机牙板衬板、轧臼壁破碎壁，板锤，磨辊磨环，球磨机衬板、高中低铬合金钢球/段等，广泛应用于矿山、选矿、电力、化工等行业。工厂占地面积39000平方米，标准厂房21000平方米，年设计耐磨材料产量3万吨。公司拥有2条铬合金钢球生产线、1条水玻璃砂铸造生产线、1条消失模生产线。

随着业务的发展，公司于2012年成立上海全资销售子公司-鼎问金属材料（上海）有限公司，旨在充分利用工厂的技术优势和上海地区的贸易服务优势更好的服务客户，拓展国内外业务。

华钢秉承“质量决定命运，定位决定发展”的经营理念，拥有ISO9001:2008和SGS企业认证证书，并正在组建江苏地区最大的耐磨材料生产基地。“以质取胜，走向世界，在更广泛范围内发掘优秀的资源服务于客户”是华钢新时期的发展理念。欢迎海内外的客户莅临我司参观指导，寻求互利双赢合作机会！



Xuzhou H&G Wear-resistant Material Co., Ltd. was established in 1989, located in Xuzhou, Jiangsu Province. Through about 30 years' striving, we have become one of the leading enterprises in the industry. Our company is devoted to researching, developing, producing and selling Jaw plate, Concave&Mantle, Blow Bar, Ring&Roller, Ball mill liner, high/medium/low chromium alloy steel ball/cylpebs, which are widely used in Cement, Mining, Chemical Industries, and Power Plants, etc. Our manufacturing base covers 39,000 square meters, with the standard workshop area of 21,000 square meters, annual productivity up to 30,000 metric tons. Our factory equipped with 2 chrome alloyed ball liners, one silicate bonded sand line and one lost foam line for cast iron.

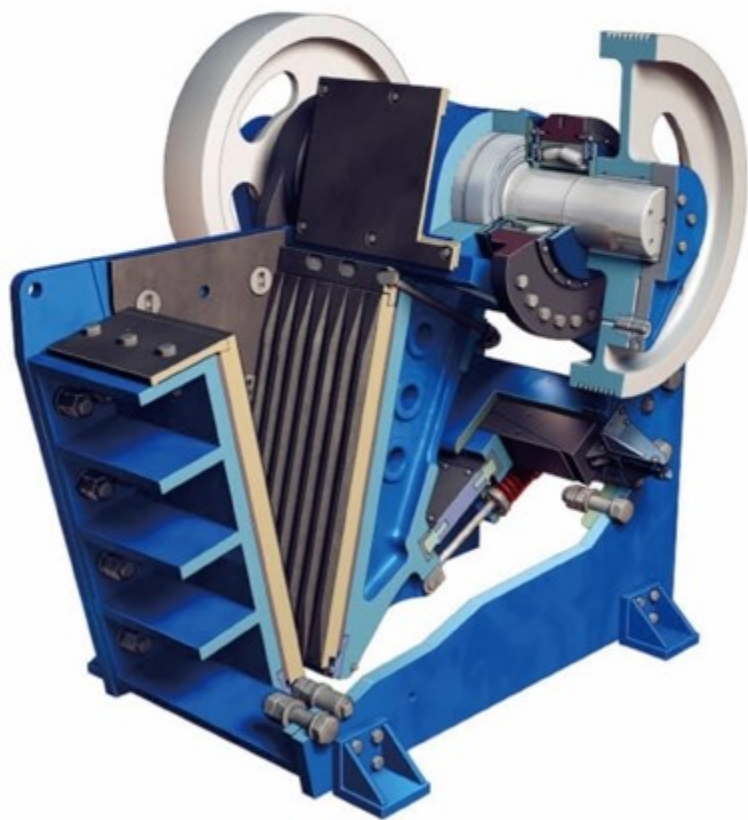
With the development of our business, we started our Shanghai branch in 2012, named D-Win Metal Material (Shanghai) Co., Ltd.. We are intending to make the most of the technical advantage of our factory and that of the trade service in Shanghai to provide the best service for our customers at home and abroad.

Insisting on the spirit of "Quality Determines Destiny, Positioning Determines Development", which have ISO9001:2008 and SGS Certification. Our company is establishing the largest professional producing and exporting base in Jiangsu Province. Welcome to us for further cooperation!



鄂板是鄂式破碎机的主要磨损部件,分为动鄂板和定鄂板。华钢公司可以根据用户的鄂式破碎机型号的不同,生产各种型号尺寸的鄂板。我们主要采用含锰量为13%-30%的高锰钢及添加了特种合金的超高锰钢材质,并采用特有的热处理方式,使得我司生产的每一块鄂板在不同的工况条件下都具有极强的耐磨性和长久的使用寿命。根据客户反馈,华钢公司鄂板使用寿命比普通鄂板高出20-30%,让用户停机检修和更换配件的时间大幅度减少,极大的降低了用户的使用成本,提高了综合经济效益。

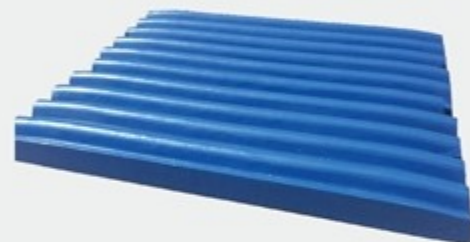
H&G's Jaw plate and Cheek plate is manufactured with high manganese steel of Mn13Cr2, Mn18Cr2, Mn22Cr2 or manganese steel with special alloy and heat-treatment process. It has a working life of 20%-30% longer than those made of traditional manganese steel. As per the feedback from customers, the good performance of our jaw plate in different working condition greatly decreased the time of examination & repair and the use-cost.



颞板
Jaw plate



颞板
Jaw plate



颞板
Jaw plate





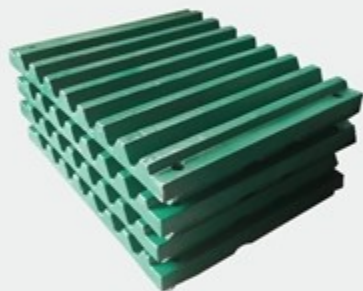
颚板
Jaw plate



颚板
Jaw plate



颚板
Jaw plate



颚板
Jaw plate



颚板
Jaw plate



颚板
Jaw plate





肘板
Toggle plate



肘板垫
Toggle seat



边护板
Side plate



动颚
Swing jaw



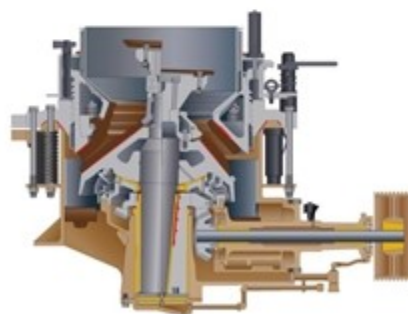
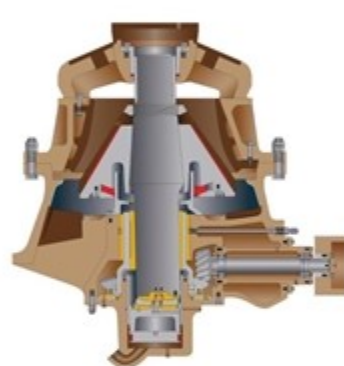
轴承
Jaw crusher bearing



皮带轮
Jaw crusher pulley wheel

轧臼壁和破碎壁是圆锥破碎机的主要磨损部件。我司可根据客户使用的不同型号的圆锥破碎机生产与之配套的轧臼壁和破碎壁。我司主要采用高锰钢材质，如Mn14Cr2, Mn18Cr2, Mn20Cr2, Mn22Cr2等等，既实现了机器使用过程中的稳定性和安全性，又保证了配件的使用寿命和耐磨性能。根据各种工况条件下的使用情况和客户反馈，鑫创公司生产的轧臼壁和破碎壁配件比普通配件的使用寿命延长了10-15%。

Mantle and bowl liner are the main wearing parts for cone crusher. H&G can manufacture numerous models of concave and mantles for cone crusher. For the materials of concave, Sinco use the Hadifield-steel, like Mn14Cr2, Mn18Cr2, Mn20Cr2, Mn22Cr2, to ensure the wear resistance. Our cone parts are widely used on mining, construction, chemical, cement and metallurgical industry. After the modification treatment, combining with the special processing techniques, concave have a service life 10~15% longer than those made of traditional materials.

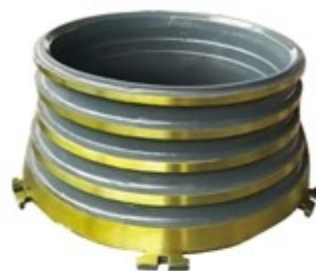




轧臼壁
Bowl liner



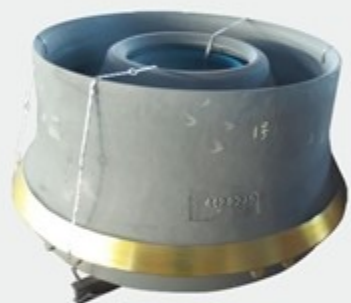
破碎壁
Mantle



轧臼壁
Bowl liner



破碎壁
Mantle



破碎壁
Mantle



轧臼壁
Bowl liner



破碎壁
Mantle



轧臼壁
Bowl liner



破碎壁
Mantle



轧臼壁
Bowl liner



破碎壁
Mantle





动锥总成
Mantle assembly



轴套
Bushing and sleeve



轴瓦
Socket liner



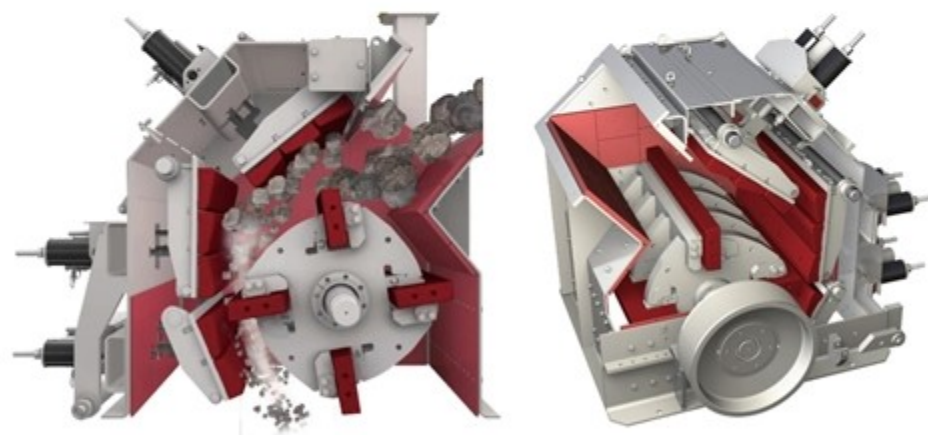
机架
Frame



轴套
Bushing

作为生产混凝土骨料，高速公路，铁路和城市建筑垃圾破碎的主要设备的反击式破碎机，其主要耐磨配件为板锤和衬板。我司生产的高铬合金板锤和衬板已经应用在欧洲，南美，中东，非洲和北美等数十个国家和地区的数千台反击式破碎机上，并以其硬度高，耐磨损，韧性强的特点赢得了广大客户的信赖和赞誉。我司的板锤和衬板主要使用高铬白口铸铁，中铬及低铬合金铸造，是经过特殊处理炼制的，适用于各种解决方案，其经过淬火和回火热处理加工后具有最佳的微晶粒结构和足够的韧性，并且硬度可达HRC58-65以上。

Impact crusher is an important equipment in concrete production, road-building and construction waste recycle. The main spare parts are blow bar and liner plate. H&G blow bar and impact Plate employ the external refining technology effectively reduced the harmful elements, impurity, oxygen and hydrogen harm, greatly enhanced the abrasion resistance and impact toughness of the steel. Using proprietary metamorphic agent for modification treatment, fine grains, improve carbide configuration and distribution, and to improves the abrasion resistance and tenacity. After heat-treatment process, the hardness of H&G blow bar can reach to HRC58-65.





徐州华钢耐磨材料有限公司

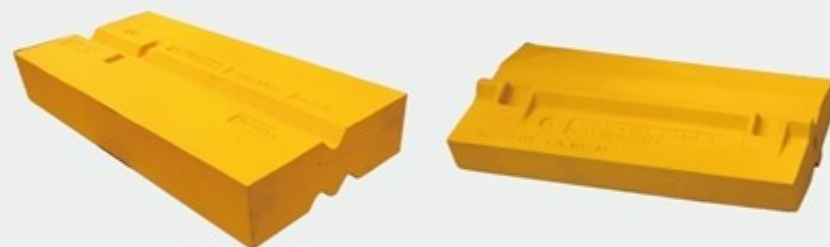
Xuzhou H&G Wear-resistant material Co.,Ltd

反击式破碎机

Impact crusher wearing spare parts



板锤
Blow bar



板锤
Blow bar



板锤
Blow bar



反击衬板
Impact liner plate



板锤
Blow bar





徐州华钢耐磨材料有限公司

Xuzhou H&G Wear-resistant material Co.,Ltd

反击式破碎机

Impact crusher wearing spare parts



板锤
Blow bar



板锤
Blow bar



板锤
Blow bar



板锤
Blow bar



板锤
Blow bar



板锤
Blow bar





衬板
Liner plate



锤头
Hammer



衬板
Liner plate



锤头
Hammer



衬板
Liner plate





锤头
Hammer



护块
Protection wear block



篦条
Grate

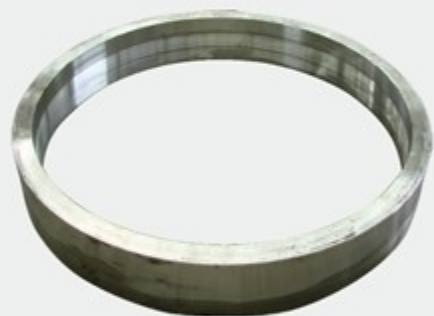
我司生产的球磨机及其他磨粉机的各类耐磨配件，种类繁多，型号齐全。主要有各类球磨机，棒磨机，自磨机和半自磨机的钢球，钢锻，衬板，格子板，篦条；辊式磨粉机的磨辊，磨环；立磨的磨辊衬板，磨盘衬板等等。所用材质包括高锰钢ZGMn13Cr2, ZGMn18Cr2, ZGMn22Cr2, 高铬，中铬和低铬铸铁（含铬量1%-18%）。产品广泛用于各种金属和非金属矿石加工，水泥，制粉等行业，获得了良好的运转效果和客户反馈。

H&G also produce hundreds types of wearing parts for cement and powder making industries, like Raymond mill ring and roller, board hammer, hammerhead and liner; ball mill liner and grate, Vertical mill roller and liner; roller liner and disc liner. The materials are high manganese Mn13Cr2, Mn18Cr2, high chrome white iron KMTBCr26. Our parts have been used on thousands of cement and powder making equipment all over the world, which won great reputation from our customer.





钢球
Grinding ball



磨环
Mill ring



钢锻
Cylpeb

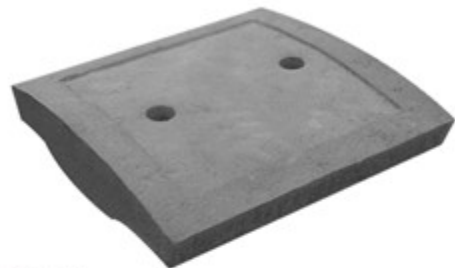


磨辊
Roller

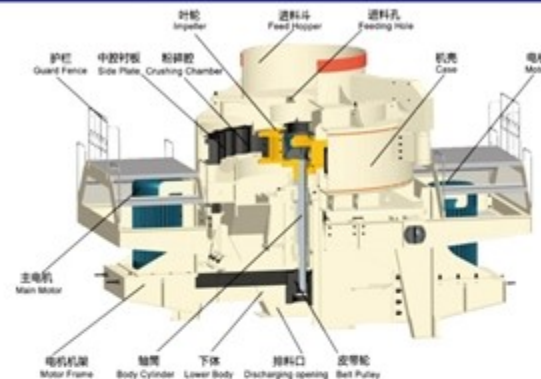


球磨机衬板
Ball mill liner





球磨机衬板
Ball mill liner



橡胶衬板
Rubber liner for ball mill



立轴冲击式破碎机(制砂机)配件
Vertical shaft impact crusher spare parts



橡胶衬板
Rubber liner for ball mill



立轴冲击式破碎机(制砂机)配件
Vertical shaft impact crusher spare parts



立轴冲击式破碎机(制砂机)配件
Vertical shaft impact crusher spare parts



立轴冲击式破碎机(制砂机)配件
Vertical shaft impact crusher spare parts

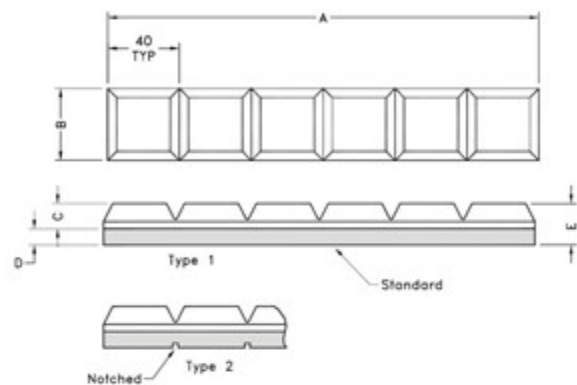


立轴冲击式破碎机(制砂机)配件
Vertical shaft impact crusher spare parts

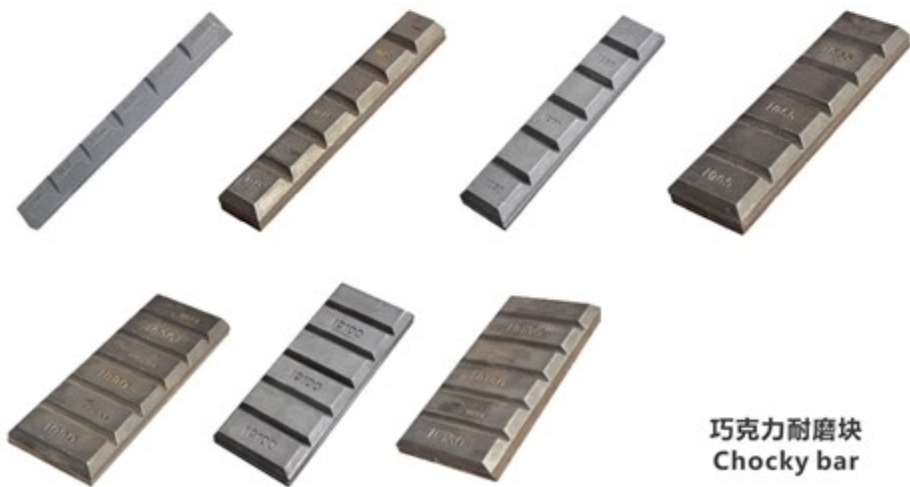
双金属耐磨配件系列产品,是华钢公司又一大特色耐磨产品。其主要材质为高铬白口铸铁和普通碳素钢进行钎焊结合而成,表面硬度高达630-700BHN。既利用了高铬白口铸铁的高硬度耐磨性,又结合了普通碳素钢的良好焊接性。可以方便的焊接安装在各类工程机械设备的低强度磨损部位,如挖掘机和装载机的挖斗底部和转角,矿用溜槽和运输轨道的侧边,矿车的底部及两侧等,使用简便,工作寿命长,极大地提高了相关设备的使用效能。

H&G Bi-metal wearing products combine a number of metallurgical properties into one unique wear resistant material which today has been widely used in most abrasive wear applications. This kind of products is an extremely hard laminated bi-metallic, wear resistant composite, which has a nominal hardness of 700 BHN (HRC 63) minimum. It is produced by combining a highly alloyed chromium-molybdenum white iron and metallurgical bonding it to a mild steel backing plate. It can be welded easily on the wearing working position, like the bottom of bucket, the side plate of tramcar and the corner and bottom of chute, etc. The bonding possesses high shear strength of over 200 MPA and will not be separated. Additional carbides of 1500 HV maximize resistance to afford its abrasion. It can greatly increase the performance and durability of the equipment.

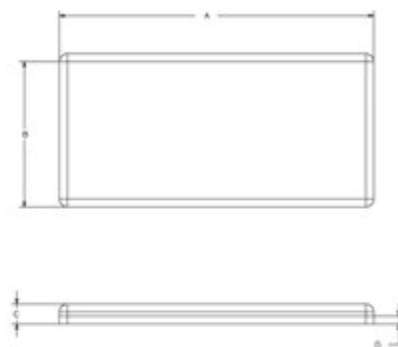




Chocky Bars	Type	A	B	C	D	E
CB 25	1	240	25	17	8	23
CB 40	1	240	40	17	8	23
CB 50	1	240	50	17	8	23
CB 65	1	240	65	17	8	23
CB 90	1	240	90	17	8	23
CB 100	1	240	100	17	8	23
CB 130	1	240	130	17	8	23



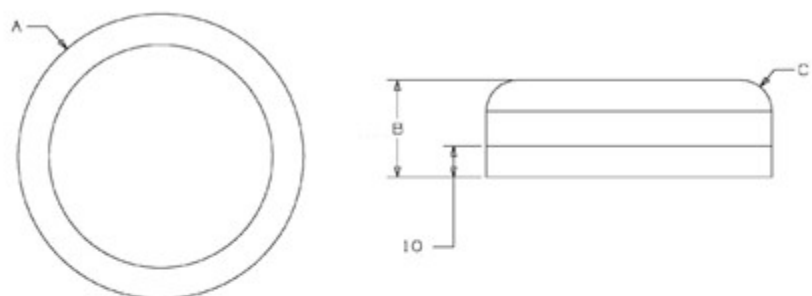
巧克力耐磨块
Chocky bar



Dimensions				
Wearing plate	A	B	C	D
IR 150	250	150	45	9.5
IR 250	250	250	48	12.5
IR190	390	190	25	10
IR390	390	390	25	10
IR380	490	380	25	10



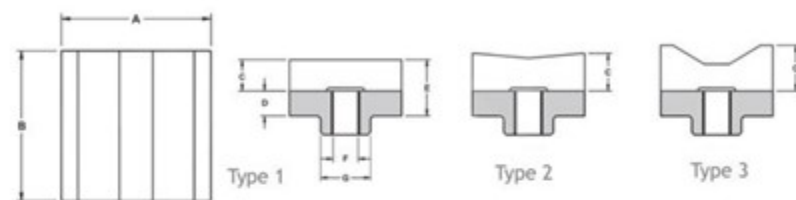
耐磨衬板
Wearing plate



Wearing Button	A	B	C	D
WB 50	50	25	15	10
WB 75	75	25	15	10
WB 90	90	30	20	10
WB 115	115	32	22	10
WB 150	150	35	25	10



耐磨圆块
Wearing button



Model	Type	A	B	C	D	E	F	G
WTP 9090	1	90	90	25	20	45	7/8" -14 UNF	40
WTP 9050	1	90	50	25	20	45	7/8" -14 UNF	40
WTP 5050	1	50	50	20	18	38	3/4" -16 UNF	32
WTP 8080	1	80	80	25	20	45	7/8" -14 UNF	40
WTP 1010	1	100	100	25	20	45	7/8" -14 UNF	40
WTP 6464	1	64	64	20	20	40	3/4" -16 UNF	31
WTP 8056	1	80	56	25	20	45	M20 × 1.5P	35
WTP 5090	1	50	90	30	20	50	7/8" -14 UNF	40
WTF 9090	2	90	90	30	20	50	7/8" -14 UNF	40
WTF 8056	2	80	56	30	20	50	M20 × 1.5P	35
WTB 9090	3	90	90	35	20	55	7/8" -14 UNF	40
WTB 9050	3	90	50	35	20	55	7/8" -14 UNF	40
WTB 8056	3	80	56	35	20	55	M20 × 1.5P	35

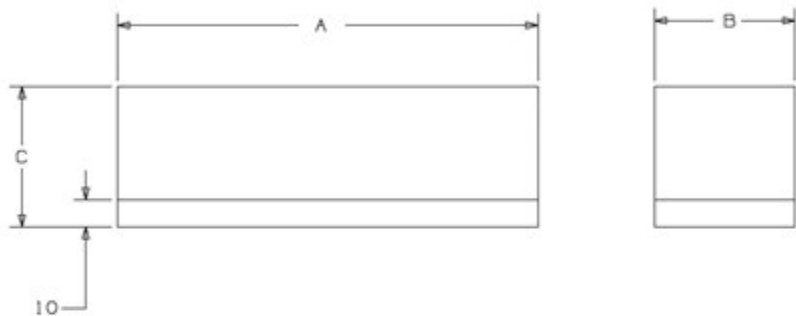


锤头
Sugar shredder hammer



徐州华钢耐磨材料有限公司

Xuzhou H&G Wear-resistant material Co.,Ltd



Standard Wear Bars	A	B	C	D
IBL90	90	50	50	10
IBL115	115	50	50	10
IBL150-50	150	50	50	10
IBL150-75-1	150	75	40	10
IBL150-75-2	150	75	50	10
IBL150-75-3	150	75	60	10
IBL190	190	50	50	10
IBL200	200	25	30	10
IBL230	230	50	50	10
IBL300-1	300	25	30	10
IBL300-2	300	50	50	10
IBL300-3	300	50	60	10
IBL430	430	50	50	10



耐磨块
Wearing bar



专业铸造品牌
PROFESSION MAKES BRAND

信誉成就未来
REPUTATION CHANGES FUTURE

生产流程
FLOW CHART

